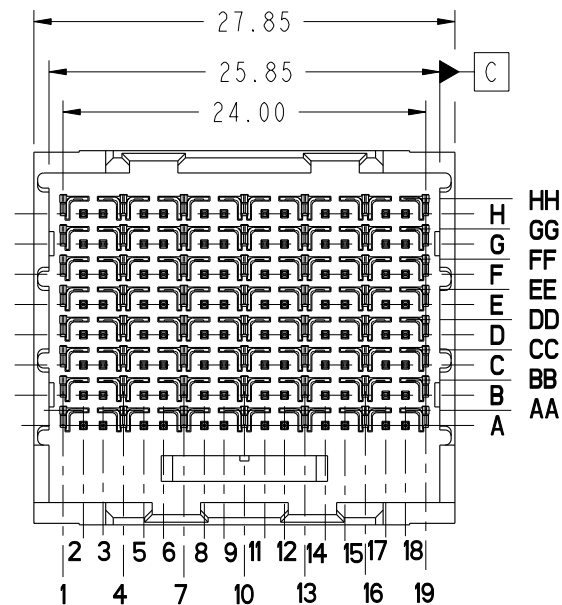
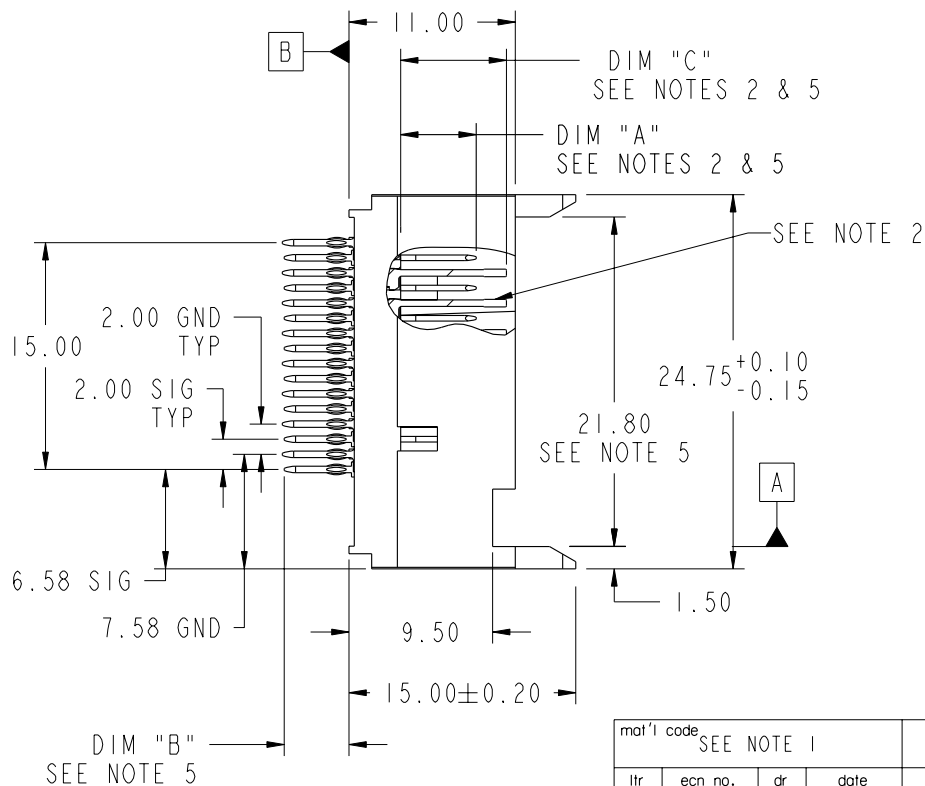
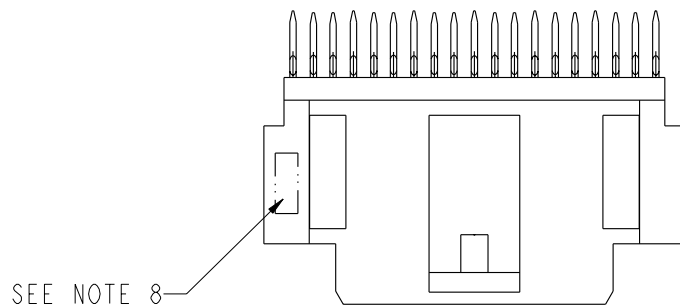


PRODUCT NUMBER	CONTACT PLATING PERFORMANCE LEVEL	PRESS FIT TAIL PLATING
84962-1YY	TELCORDIA CO	STANDARD (SnPb)
84962-1YYLF	TELCORDIA CO	LEAD FREE (Sn)



mat'l code SEE NOTE 1				tolerances unless otherwise specified		CUSTOMER	FCj www.fciconnect.com	
ltr	ecn no.	dr	date	linear	0.X ± 0.3	COPY	title	
H	V06-0569	DCH	2006-06-12	0.XX ± 0.10	projection	VERTICAL SIGNAL HDR. 8 ROW P.F. 48 POS. SPECIAL LOAD		
J	V08-0123	HTB	2008-03-13	0.XXX ± 0.050	angles	product family METRAL 3000 code		
D	V12260	JLO	2001-10-08	0° ± 2°	dr	A. RAISTRICK	2000-05-15	213
E	V12731	AR	2001-11-27		engr	J. ORTEGA	2000-05-15	sheet
F	V04-0422	DAI	2004-05-06		chr	J. ORTEGA	2000-05-15	1 of 5
G	V05-0925	DAI	2005-10-24		appd	J. ORTEGA	2000-05-15	
sheet index	revision sheet	J 1	J 2	J 3	J 4	J 5		

This document is the property of and embodies
 CONFIDENTIAL and PROPRIETARY information of FCj.
 No part of the information shown on this
 document may be used in any way or disclosed
 to others without the written consent of FCj.
 Copyright FCj.



This document is the property of and embodies
 CONFIDENTIAL and PROPRIETARY information of FCI.
 No part of the information shown on this
 document may be used in any way or disclosed
 to others without the written consent of FCI.
 Copyright FCI.

PRODUCT NO.	ROW	DIM "A"	GROUND PIN MATE LENGTH	DIM "B" SIGNAL	DIM "B" GND
84962-X01 SEE NOTE 7 LEAD FREE OPTION	H	5.00	7.00	4.30	4.30
	G	5.00	7.00	4.30	4.30
	F	5.00	7.00	4.30	4.30
	E	5.00	7.00	4.30	4.30
	D	5.00	7.00	4.30	4.30
	C	5.00	7.00	4.30	4.30
	B	5.00	7.00	4.30	4.30
	A	5.00	7.00	4.30	4.30
84962-X02 SEE NOTE 7 LEAD FREE OPTION	H	5.75	7.00	4.30	4.30
	G	5.75	7.00	4.30	4.30
	F	5.75	7.00	4.30	4.30
	E	5.75	7.00	4.30	4.30
	D	5.75	7.00	4.30	4.30
	C	5.75	7.00	4.30	4.30
	B	5.75	7.00	4.30	4.30
	A	5.75	7.00	4.30	4.30
84962-X03 SEE NOTE 7 LEAD FREE OPTION	H	6.50	7.00	4.30	4.30
	G	6.50	7.00	4.30	4.30
	F	6.50	7.00	4.30	4.30
	E	6.50	7.00	4.30	4.30
	D	6.50	7.00	4.30	4.30
	C	6.50	7.00	4.30	4.30
	B	6.50	7.00	4.30	4.30
	A	6.50	7.00	4.30	4.30

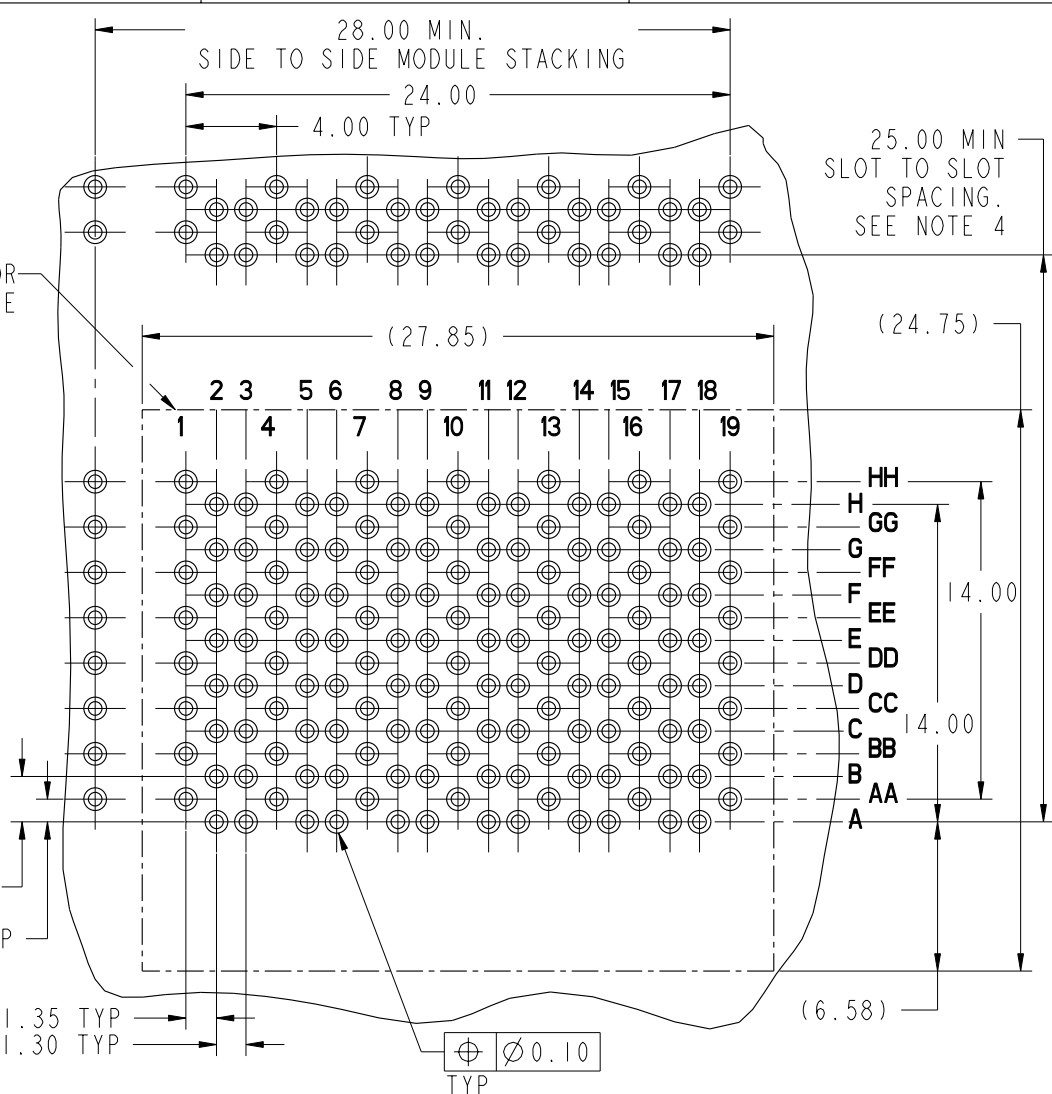
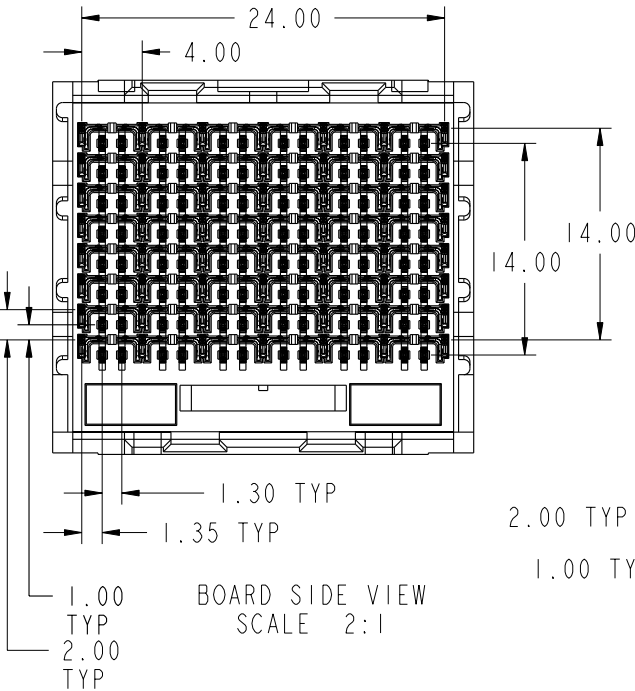
PRODUCT NO.	ROW	DIM "A"	GROUND PIN MATE LENGTH	DIM "B" SIGNAL	DIM "B" GND
84962-X10 SEE NOTE 7 LEAD FREE OPTION	H	5.00	7.00	3.40	3.40
	G	5.00	7.00	3.40	3.40
	F	5.00	7.00	3.40	3.40
	E	5.00	7.00	3.40	3.40
	D	5.00	7.00	3.40	3.40
	C	5.00	7.00	3.40	3.40
	B	5.00	7.00	3.40	3.40
	A	5.00	7.00	3.40	3.40
84962-X11 SEE NOTE 7 LEAD FREE OPTION	H	5.75	7.00	3.40	3.40
	G	5.75	7.00	3.40	3.40
	F	5.75	7.00	3.40	3.40
	E	5.75	7.00	3.40	3.40
	D	5.75	7.00	3.40	3.40
	C	5.75	7.00	3.40	3.40
	B	5.75	7.00	3.40	3.40
	A	5.75	7.00	3.40	3.40
84962-X12 SEE NOTE 7 LEAD FREE OPTION	H	6.50	7.00	3.40	3.40
	G	6.50	7.00	3.40	3.40
	F	6.50	7.00	3.40	3.40
	E	6.50	7.00	3.40	3.40
	D	6.50	7.00	3.40	3.40
	C	6.50	7.00	3.40	3.40
	B	6.50	7.00	3.40	3.40
	A	6.50	7.00	3.40	3.40

mat'l code SEE NOTE 1				tolerances unless otherwise specified		CUSTOMER	FCI www.fciconnect.com	
ltr	ecr no.	dr	date	linear	0.X ± 0.3	COPY	title	
J				linear	0.XX ± 0.10	projection	VERTICAL SIGNAL HDR. 8 ROW P.F. 48 POS. SPECIAL LOAD	
				angles	0.XXX ± 0.050		product family METRAL 3000 code	
				dr	0° ± 2°	MM	size	
				enr	A. RAISTRICK 2000-05-15	← MM →	dwg no	
				chr	J. ORTEGA 2000-05-15	scale	213	
				appd	J. ORTEGA 2000-05-15	1:1	sheet	
sheet index	revision sheet						2	



This document is the property of and embodies
 CONFIDENTIAL and PROPRIETARY information of FCI.
 No part of the information shown on this
 document may be used in any way or disclosed
 to others without the written consent of FCI.
 Copyright FCI.

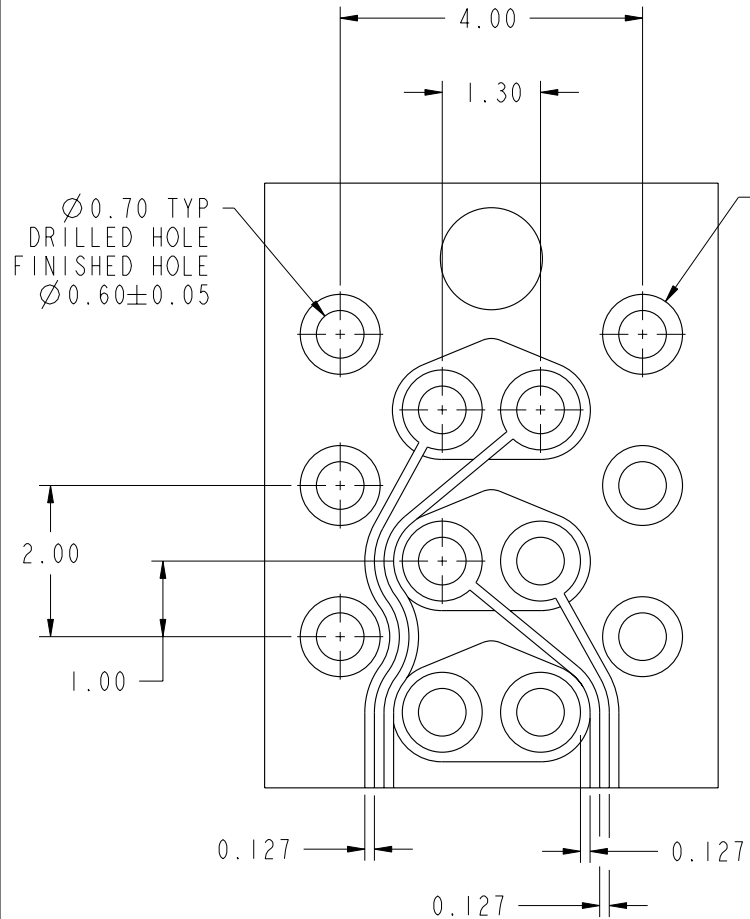
PRODUCT NUMBER
SEE SHEET 1



PRESS-FIT HOLES	SIZE RANGE	NOMINAL
HOLE DIAMETER AFTER PLATING	Ø0.55 - Ø0.65	Ø0.60
DRILLED HOLE	Ø0.68 - Ø0.73	Ø0.70
COPPER PLATING	0.025 MIN	
SnPb PLATING	0.005 - 0.015	

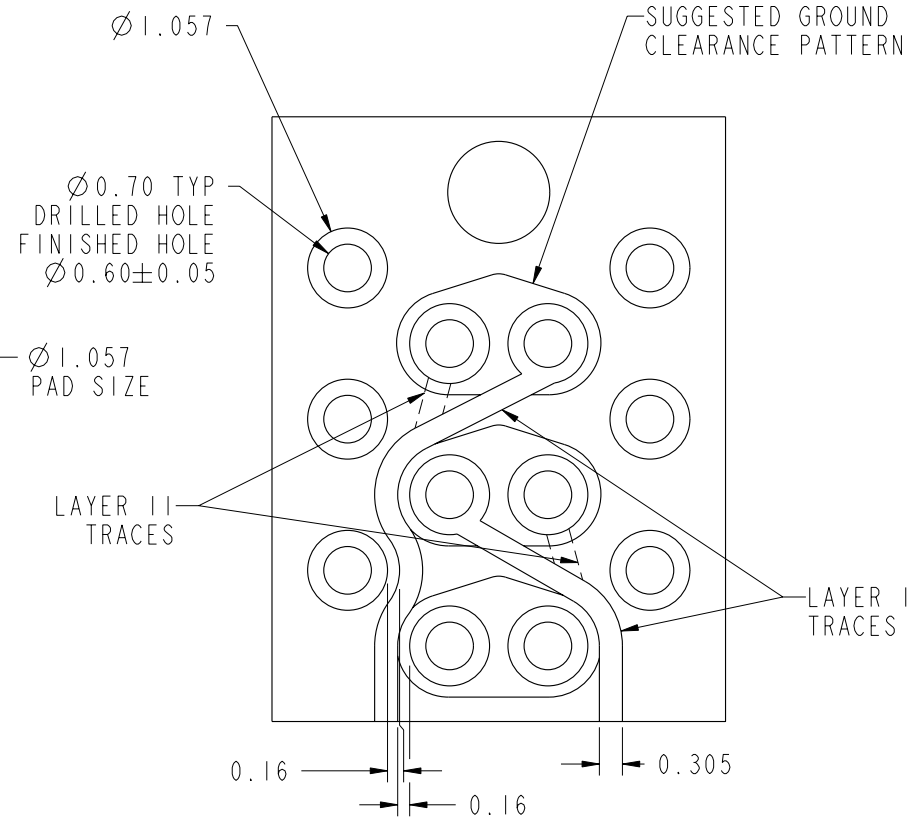
mat'l code SEE NOTE 1		tolerances unless otherwise specified		CUSTOMER		FCI www.fciconnect.com	
ltr J	ecn no.	dr	date	linear 0.X ±0.3 0.XX ±0.10 0.XXX ±0.050	projection MM	title VERTICAL SIGNAL HDR. 8 ROW P.F. 48 POS. SPECIAL LOAD	
				angles 0° ±2°	MM	product family METRAL 3000	code 213
				dr A. RAISTRICK 2000-05-15	scale 1:1	size A	sheet 3
				enrg J. ORTEGA 2000-05-15		dwg no 84962	
				chr J. ORTEGA 2000-05-15			
				appd J. ORTEGA 2000-05-15			
sheet index	revision sheet						

PRODUCT NUMBER
SEE SHEET 1



OPTION A (EDGE COUPLED)
METRAL - DIFFERENTIAL PCB
TRACE LAYOUT

- 0.127 mm [0.005 in] TRACES MAX WITH 0.127 mm [0.005 in] GAPS
- 4 TRACES (2 PAIRS) PER LAYER



OPTION B (BROADSIDE COUPLED)
METRAL - DIFFERENTIAL
PCB TRACE LAYOUT

- UP TO 0.305 mm [0.012 in] TRACES MAX WITH 0.16 mm [0.006 in] GAPS
- 2 TRACES PER LAYER

mat'l code SEE NOTE 1				tolerances unless otherwise specified		CUSTOMER	FCJ www.fciconnect.com	
ltr	ecn no.	dr	date	linear	0.X ± 0.3	COPY	title	
J					0.XX ± 0.10	projection	VERTICAL SIGNAL HDR. 8 ROW P.F. 48 POS. SPECIAL LOAD	
				angles	0.XXX ± 0.050		product family	
				dr	0° ± 2°	MM	METRAL 3000	
				enr	A. RAISTRICK 2000-05-15	scale	size	code
				chr	J. ORTEGA 2000-05-15	1:1	dwg no	213
				appd	J. ORTEGA 2000-05-15		84962	sheet
sheet index	revision sheet							4



This document is the property of and embodies CONFIDENTIAL and PROPRIETARY information of FCJ. No part of the information shown on this document may be used in any way or disclosed to others without the written consent of FCJ. Copyright FCJ.


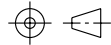
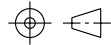
PRODUCT NUMBER
SEE SHEET 1

NOTES:

- 1. BODY MATERIAL: LIQUID CRYSTAL POLYMER 30% GF
FLAME RETARDANT IN ACCORDANCE WITH UL 94-VO.
PIN MATERIAL: COPPER ALLOY
- 2. DIM "C" REFERENCES GROUND PIN AND DIM "A" REFERENCES SIGNAL PIN.
- 3. PRODUCT MARKING: PART NUMBER AND BATCH ID.
- 4. REFERENCE METRAL 3000 APPLICATION SPEC GS-20-012
FOR MODULE APPLICATION AND REPAIR REQUIREMENTS.
- 5. DIMENSIONS AFTER INSERTION INTO CIRCUIT BOARD WITH FCI
APPROVED TOOLING.
- 6. REFERENCE METRAL 3000 PRODUCT SPEC GS-12-138.
- 7. PRODUCTS WHERE THE PART NUMBER ENDS IN "LF" MEET
EUROPEAN UNION DIRECTIVES AND OTHER COUNTRY REGULATIONS
AS DESCRIBED IN GS-22-008.
ALL PRODUCTS WILL WITHSTAND EXPOSURE TO 260° FOR 60
SECONDS IN A CONVECTION, INFRA-RED OR VAPOR PHASE
REFLOW OVEN.
FOR LEAD FREE PART NUMBERS ADD "LF" SUFFIX.
EXAMPLE: 84962-IYYLF.
- 8. COMPANY LOGO LOCATED IN THIS AREA.



This document is the property of and embodies
CONFIDENTIAL and PROPRIETARY information of FCI.
No part of the information shown on this
document may be used in any way or disclosed
to others without the written consent of FCI.
Copyright FCI.

mat'l code SEE NOTE 1				tolerances unless otherwise specified		CUSTOMER		 www.fciconnect.com	
ltr	ecr no.	dr	date	linear	0.X ±0.3		COPY		title VERTICAL SIGNAL HDR. 8 ROW P.F. 48 POS. SPECIAL LOAD
J					0.XX ±0.10		projection		
					0.XXX ±0.050				
				angles	0° ±2°				product family METRAL 3000 code size dwg no A 84962 213 sheet 5
				dr	A. RAISTRICK	2000-05-15	MM		
				enr	J. ORTEGA	2000-05-15	← MM →		
				chr	J. ORTEGA	2000-05-15	scale		
				appd	J. ORTEGA	2000-05-15	1:1		
sheet index	revision sheet								